

MicroIQ™

CORE REPLACEMENT LOCK

Installation Instructions

www.microiqlock.com



Knoll

FOR OFFICE FURNITURE, STORAGE CABINETS, LOCKERS, SAFES, VAULTS, SECURED ENCLOSURES

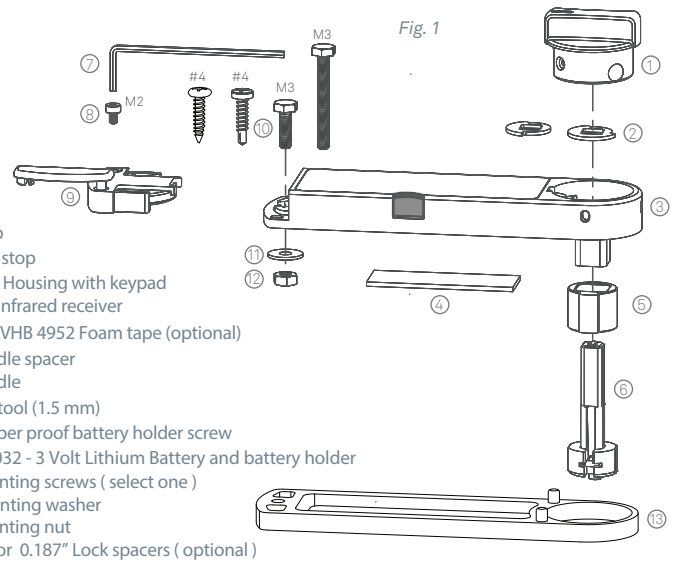
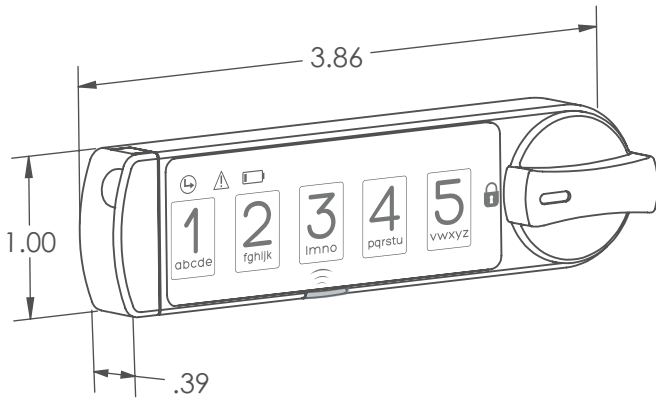
TriTeq Lock and Security
701 Gullo Ave
Elk Grove Village, IL 60007

Phone: (847) 640-7002
Toll Free: (888) 603-5625
Email: marketing@triteqlock.com

061515 - Rev. 5

© Copyright 2014 TriTeq Lock and Security. All rights reserved

General dimensions



- 1 Knob
- 2 Cam stop
- 3 Lock Housing with keypad and infrared receiver
- 4 3M - VHB 4952 Foam tape (optional)
- 5 Spindle spacer
- 6 Spindle
- 7 Hex tool (1.5 mm)
- 8 Temper proof battery holder screw
- 9 CR2032 - 3 Volt Lithium Battery and battery holder
- 10 Mounting screws (select one)
- 11 Mounting washer
- 12 Mounting nut
- 13 0.1" or 0.187" Lock spacers (optional)

1

Installation

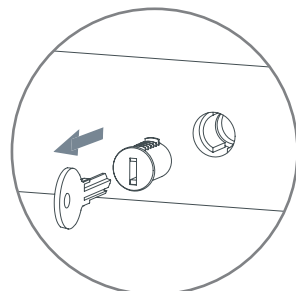
See *Figure 1* for available mounting hardware for the MicroIQ. When mounting the MicroIQ to a cabinet door or drawer, the existing handle or a separately mounted handle should be used to operate, open and close the door or drawer.

Additional mounting fasteners (*item 10*) are provided and must be added through the battery extremity of the housing. Select the fastener that best fits your panel material and thickness. If drilling is required, use the drilling template provided at the end of this manual. Double sided tape is also provided.

- 1 Using your change key, remove the existing lock core.

Note the position of the retaining tumbler on the lock core removed
i.e.: 12 o'clock, 3, 6 or 9 o'clock position.

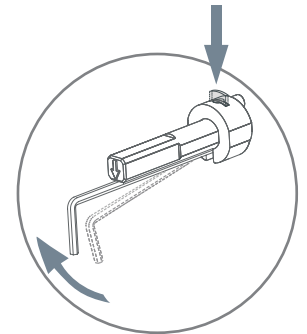
You can purchase the change key online at:
www.easykeys.com



Example:
12 o'clock position

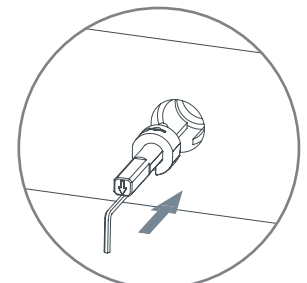
- 2 Insert the provided hex tool into the spindle as shown.

Move the hex tool towards the arrow indicated on the spindle until the retaining tumbler is retracted.



- 3 Insert the spindle with the retaining tumbler in the same orientation as the original lock core retaining tumbler.

Push the spindle into the lock shell until fully seated.

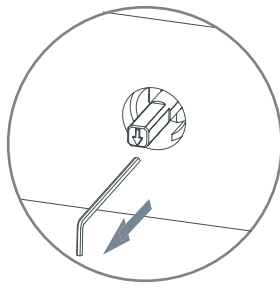


3

4

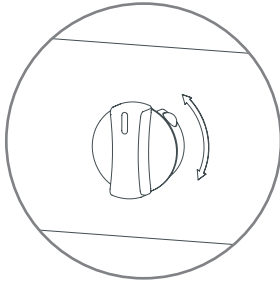
- 4 Remove the hex tool and confirm that the spindle is captured into the shell by retaining the tumbler.

The spindle is inserted properly when it can not be removed from the housing.

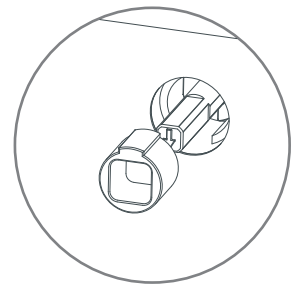


- 5 Insert the knob. Exercise the knob and verify that the spindle is engaged and operates your locking mechanism as intended.

Remove the knob from the spindle with the mechanism in the locked position.

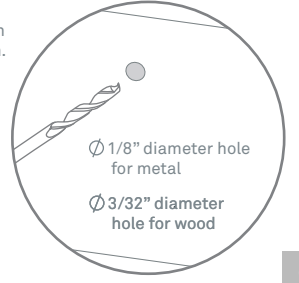


- 6 Remove the knob and insert the provided spindle spacer. Align the spline of the spindle spacer with one valley from your lock shell.



- 7 The MicroIQ can be mounted to the cabinet with the enclosed screw or double stick tape or both.

The installation template at the end of this manual can be used to drill the mounting hole for the MicroIQ. A wood screw and a self-tapping metal screw are provided.



5

6

- 8 If the lock shell has a non-removable finish cup or a collar/bezel that would restrict the MicroIQ from being inserted flush to the cabinet, use an appropriate lock spacer in between the MicroIQ and the cabinet. Spacers of 0.1" (P/N: 13081-00) and 0.187" (P/N: 13081-10) are available from TriTeq.

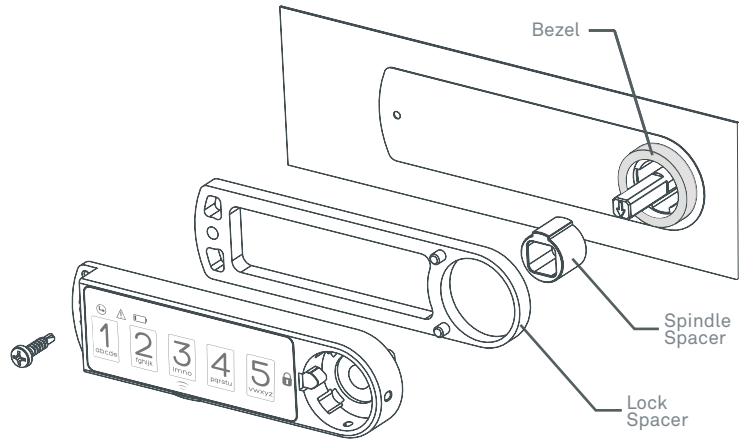
The spacers are available in chrome and black finish. To select your preferred finish, add the letter "C" for chrome or "B" for black to the end of the part number. (e.g.: 13081-00-C)

Select appropriate mounting screw. If a lock spacer is required, a mounting screw must be used.

Mount as shown on page 8.

Remove the backing from the foam tape (underneath the lock body) and insert the MicroIQ in the desired orientation until it is flush with the face of your panel.

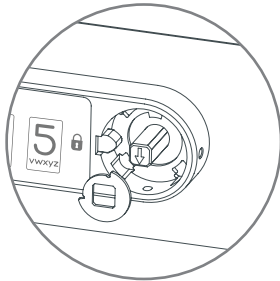
Allow tape to cure for 72 hours.




7

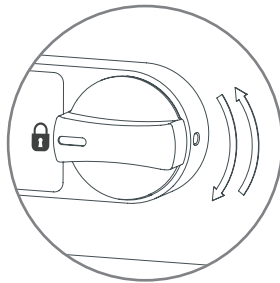
8

- 9 OPTIONAL: If your locking mechanism does not have a rotational stop, insert one of the provided cam stops to match the desired rotation.

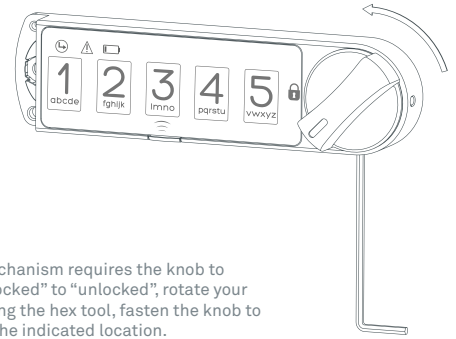


- 11 Insert the knob at LOCKED position and rotate to verify that the cam stop was positioned correctly.

Confirm that your mechanism is locked when the knob points to the lock icon 



- 12 If your locking mechanism requires the knob to rotate CCW from "locked" to "unlocked", rotate your knob only 45° and using the hex tool, fasten the knob to the spindle from the indicated location.



- 13 If your locking mechanism requires the knob to rotate CW from "locked" to "unlocked", rotate your knob only 45°. Using the hex tool, fasten the knob to the spindle from the indicated location.



9

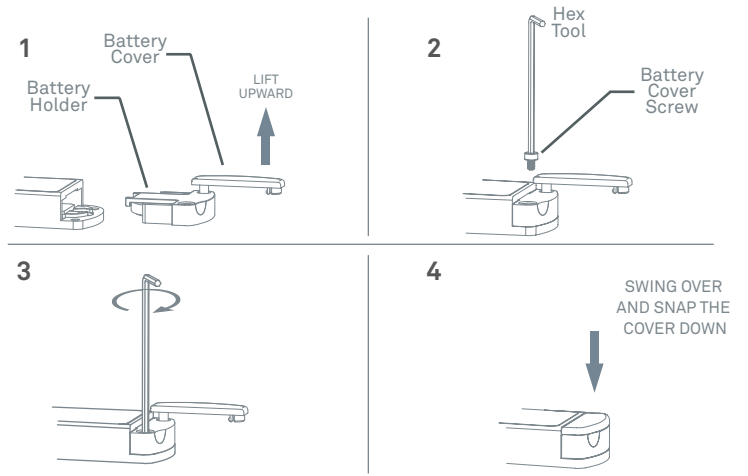
10

Battery

After installing the lock to the mounting surface, the battery and holder can be inserted into the lock. The cover for the battery holder also serves to lock the holder into the lock housing. The battery cover must be in the fully open position before inserting the holder. The battery holder screw cannot be protruding from the bottom of the battery holder. It must be flush with the holder so the holder can be inserted.

Check that the battery is properly inserted into the holder. The "+" surface of the battery should be inserted into the holder against the surface of the holder marked with the "+" symbol. Insert the battery holder into the lock with the holder cover in the fully open position and with the battery holder screw flush to the bottom of the holder until the holder is fully seated. Next, use the hex tool to fasten the battery holder screw into the lock body. Last, swing the battery holder cover to the closed position, push in and fully seat the cover into the battery holder until it is flush to the lock body.

If the battery is inserted while the knob is locked, you should hear the lock mechanism click and the unit will lock. If the battery is inserted while the knob is unlocked, after turning the knob to the locked position you should hear the lock mechanism click and the unit will lock. If the unit will not lock after inserting the battery, enter the factory code, move the knob to the unlocked position, and move the knob to the locked position and you should hear the lock mechanism click and the unit will lock. If the unit still does not lock, replace the battery.



11

12

Cleaning and Care:

To clean the MicroIQ surface, apply a non-acid based cleaner to a clean cotton cloth. Do not spray cleaner directly on the MicroIQ. Wipe down the keypad and housing surface of excess cleaner.

TriTeq Limited Warranty:

TriTeq offers a one year limited warranty on all products to be free from manufacturing defects in materials and workmanship. This limited warranty does not cover battery, lost combinations or damages caused by improper mounting, operation or unreasonable use.

Liability Limits:

This is a limited warranty and in lieu of all other warranties (including the implied warranties of merchantability and fitness of use) and under no circumstances shall TriTeq Lock & Security or Hudson Lock, LLC be liable for any incidental or consequential damages or losses.

- Operating Temperature:** 0 - +50 C
- Storage temperature:** -10 - +70 C
- Operating Moisture:** 20% - 80% Rh (without condensation)
- Replacement Battery:** 3 volt lithium CR2032
- Battery Life:** 5 years or more (calculated at 20 uses per day)

ATTENTION: Battery life may vary with battery brand and environmental conditions.

Mounting Template

